



LESSON SNAPSHOT

BOTTOM LINE:

The Holy Spirit brings God's people together.

OBJECTIVE:

Kids will learn that God's Holy Spirit is the cement that holds the Church together, and it is who God put in our hearts to keep us connected to Him.

KEY PASSAGE:

Acts 2:1-14, 38-47, Many Are Saved

MEMORY VERSE:

"If the Lord doesn't build a house, the work of the builders is useless." Psalm 127:1a (NirV)

SUMMARY:

Cement is made from special rock, clay, water and other materials all joined together in a cement mixer. The crowd at Pentecost was filled with many different people from different places. But when Peter shared the good news of Jesus, many of them believed. God mixed them all together to create the first church.

SIMPLE PRAYER:

Dear God,

Send your Holy Spirit to unite us as a church!

*In Jesus' name,
Amen*



MEMORY VERSE

"Unless the Lord builds the house, the builders labor in vain." Psalm 127:1a (NIV)

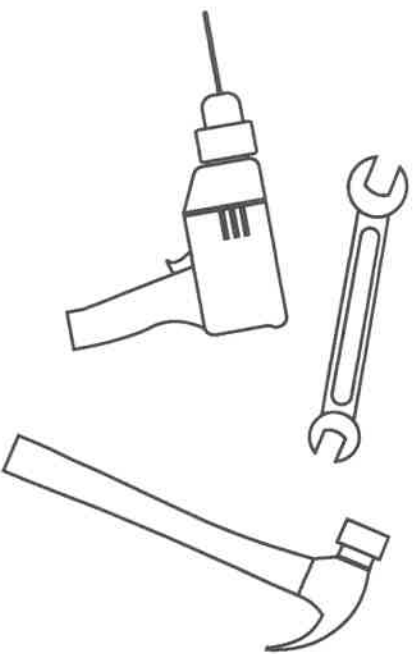
"If the Lord doesn't build a house, the work of the builders is useless." Psalm 127:1a (NirV)

LARGE GROUP:

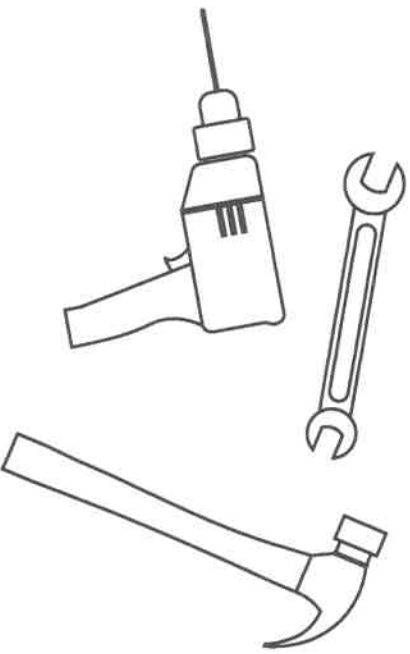
Choose four kids who think they know the verse. Line them up on stage. Have the kids recite the memory verse, with each kid saying one word, starting left to right. When you get to the kid on the right, go back to the kid on the far left. Keep going until they get through the whole verse.

SMALL GROUP:

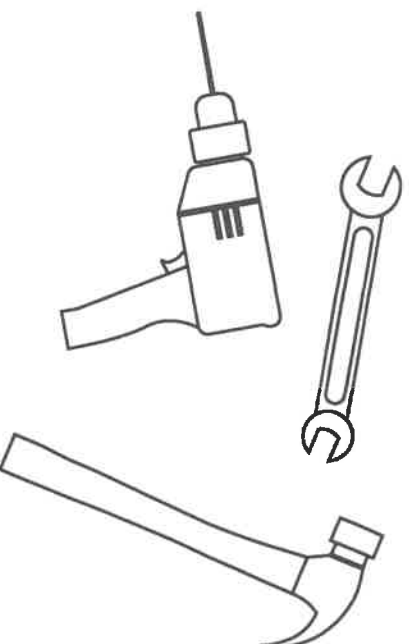
Read the memory verse aloud for each kid. Each time you do, leave out one word. See if the kids can tell you what word you left out.



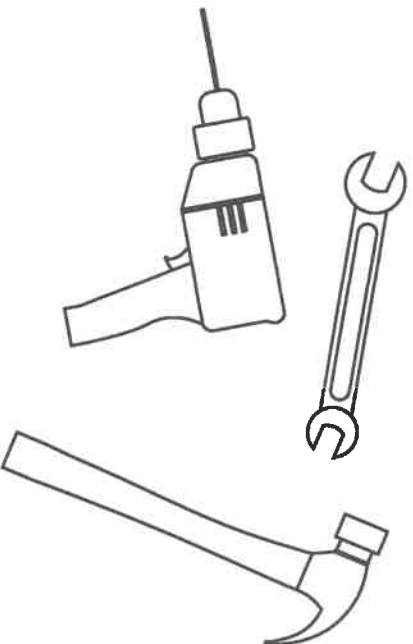
"If the Lord doesn't build a house, the work of the builders is useless."
- Psalm 127:1a (NIRV)



"If the Lord doesn't build a house, the work of the builders is useless."
- Psalm 127:1a (NIRV)



"If the Lord doesn't build a house, the work of the builders is useless."
- Psalm 127:1a (NIRV)



"If the Lord doesn't build a house, the work of the builders is useless."
- Psalm 127:1a (NIRV)



CRAFT ACTIVITY

Have the kids make some paper dolls, then cut the dolls apart to separate them. Cut out a circle labeled "Holy Spirit," and connect all the dolls to that circle with glue to show how the Holy Spirit connects and unites us!



MAKE IT STICK

5 Simple Ways You Can Make This Lesson Stick With your Kids

Under Construction Lesson 5

THIS WEEK'S LESSON: CEMENT



IN THE CAR:

Ask your child what they learned about this week on the drive home:

Cement is made from special rock, clay, water and other materials all joined together in a cement mixer. The crowd at Pentecost was filled with many different people from different places. But when Peter shared the good news of Jesus, many of them believed. God mixed them all together to create the first church. Acts 2:1-14, 38-47, Many Are Saved



HANGING OUT:

Make this week's lesson real:

Take another walk around the house. Where do you see cement? What other materials do you see holding your home together? Ask your kids how God uses the Holy Spirit to make believers stick together.



AT DINNER:

Here are some great discussion starters:

- What happened when the Holy Spirit came at Pentecost?
- How did the Holy Spirit bring the early church together?
- How can the Holy Spirit unite our church?



AT BEDTIME:

Quiz your child on this week's memory verse:

"If the Lord doesn't build a house, the work of the builders is useless." Psalm 127:1a (NIRV)



PARENT TIME:

What you need to know: Our church is made up of many different people from many walks of life and different backgrounds. The miracle of the Holy Spirit is how it unites us all, as different as we may be, into the church. When we are united by the Holy Spirit, we can do greater things than we can ever do on our own. Pray that God will unite not only our church, but all churches so we can reach the world for Jesus.