



LESSON SNAPSHOT

BOTTOM LINE:

Build your life upon Jesus!

OBJECTIVE:

Kids will learn that the foundation we should build our lives on is Jesus.

KEY PASSAGE:

Luke 6:46-49, The Wise and Foolish Builders

MEMORY VERSE:

"If the Lord doesn't build a house, the work of the builders is useless." Psalm 127:1a (NirV)

SUMMARY:

It doesn't matter how beautiful the building, if it isn't built on a solid foundation the whole thing will fall apart. Jesus is the firm foundation that we should build our lives upon.

SIMPLE PRAYER:

Dear God,

Help us to build our lives on Jesus.

*In Jesus' name,
Amen*



MEMORY VERSE

"Unless the Lord builds the house, the builders labor in vain." Psalm 127:1a (NIV)

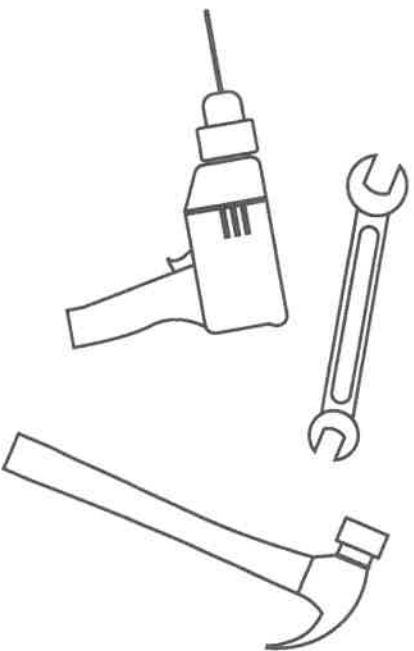
"If the Lord doesn't build a house, the work of the builders is useless." Psalm 127:1a (NirV)

LARGE GROUP:

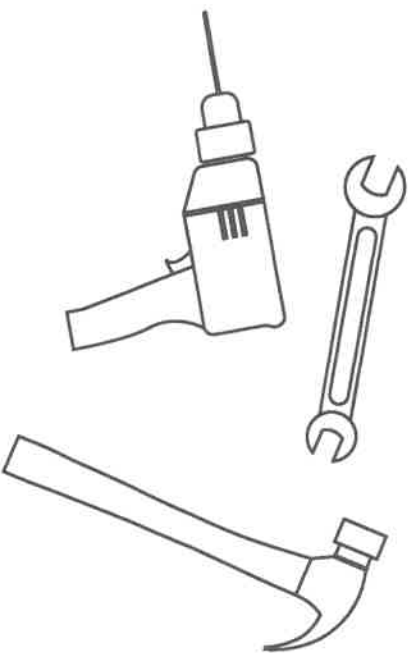
Play a hip-hop beat on the drums, and rap the memory verse for the kids, then have them repeat it back to you. Do this 3-4 times. See if they can do it the last time without reading it off the screen.

SMALL GROUP:

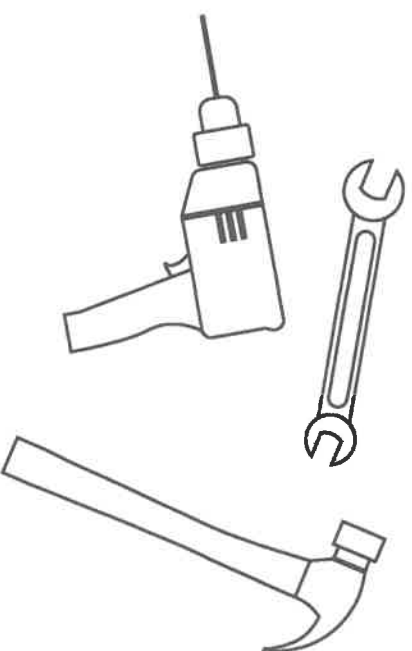
Have the kids each recite or read the verse in the voice of their favorite cartoon character.



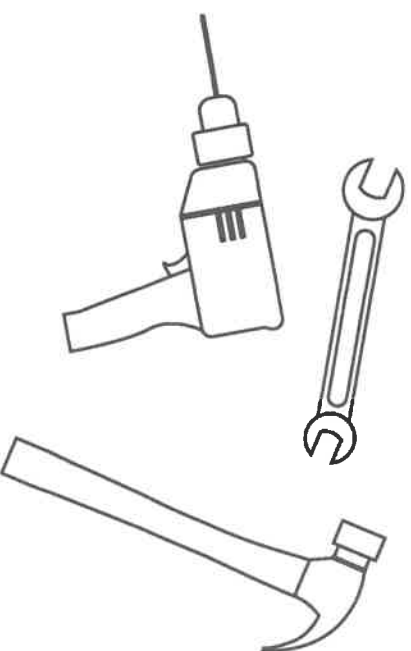
"If the Lord doesn't build a house, the work of the builders is useless."
- Psalm 127:1a (NIRV)



"If the Lord doesn't build a house, the work of the builders is useless."
- Psalm 127:1a (NIRV)



"If the Lord doesn't build a house, the work of the builders is useless."
- Psalm 127:1a (NIRV)



"If the Lord doesn't build a house, the work of the builders is useless."
- Psalm 127:1a (NIRV)



CRAFT ACTIVITY

Give the kids a baggie of sand or a small rock to take home. If you go with the rocks, let them decorate the rocks with markers or paint to remind them of their meaning - that Jesus is our foundation.



MAKE IT STICK

5 Simple Ways You Can Make This Lesson Stick With your Kids

Under Construction Lesson 4

THIS WEEK'S LESSON: LAYING THE FOUNDATION



IN THE CAR:

Ask your child what they learned about this week on the drive home:

It doesn't matter how beautiful the building, if it isn't built on a solid foundation the whole thing will fall apart. Jesus is the firm foundation that we should build our lives upon. Luke 6:46-49, The Wise and Foolish Builders



HANGING OUT:

Make this week's lesson real:

Take a walk around your house, or your basement, with the kids. What kind of foundation does your house have? What does the parable about the wise and foolish builder teach us about the need we have for Jesus?



AT DINNER:

Here are some great discussion starters:

- What makes the foolish builder foolish and the wise builder wise?
- Who is our solid foundation?
- What can we do to build our lives on Jesus?



AT BEDTIME:

Quiz your child on this week's memory verse:

"If the Lord doesn't build a house, the work of the builders is useless." Psalm 127:1a (NIRV)



PARENT TIME:

What you need to know:

Unless we make Jesus our foundation, we are living on shifting sand. Ask God to set your life on the rock of Christ, and ask Him to show your children how we can make Jesus their foundation as well.